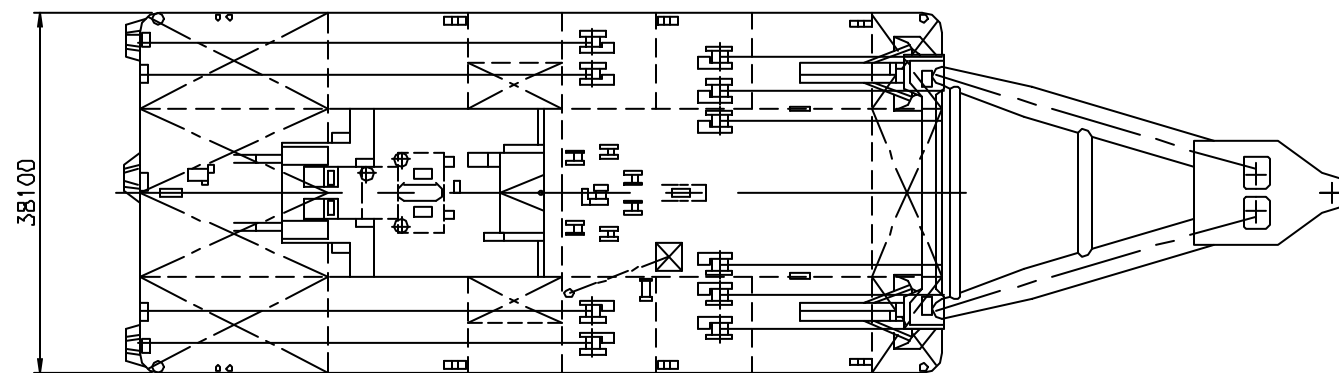
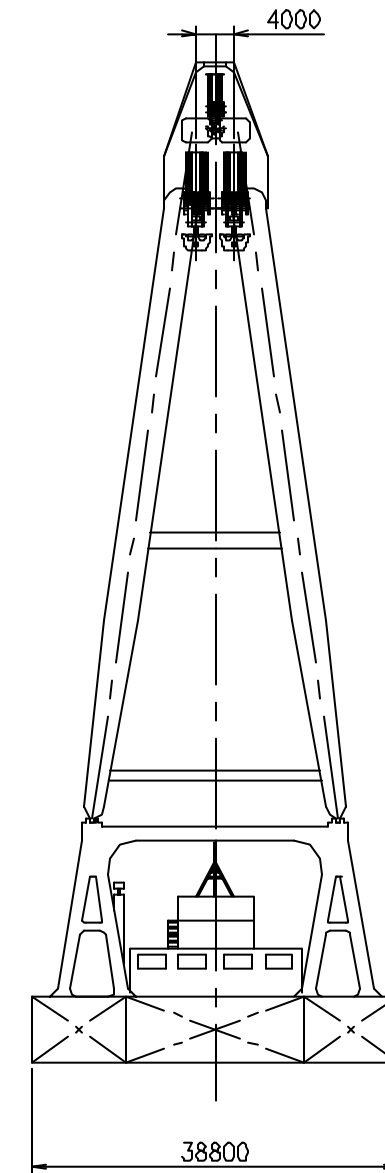
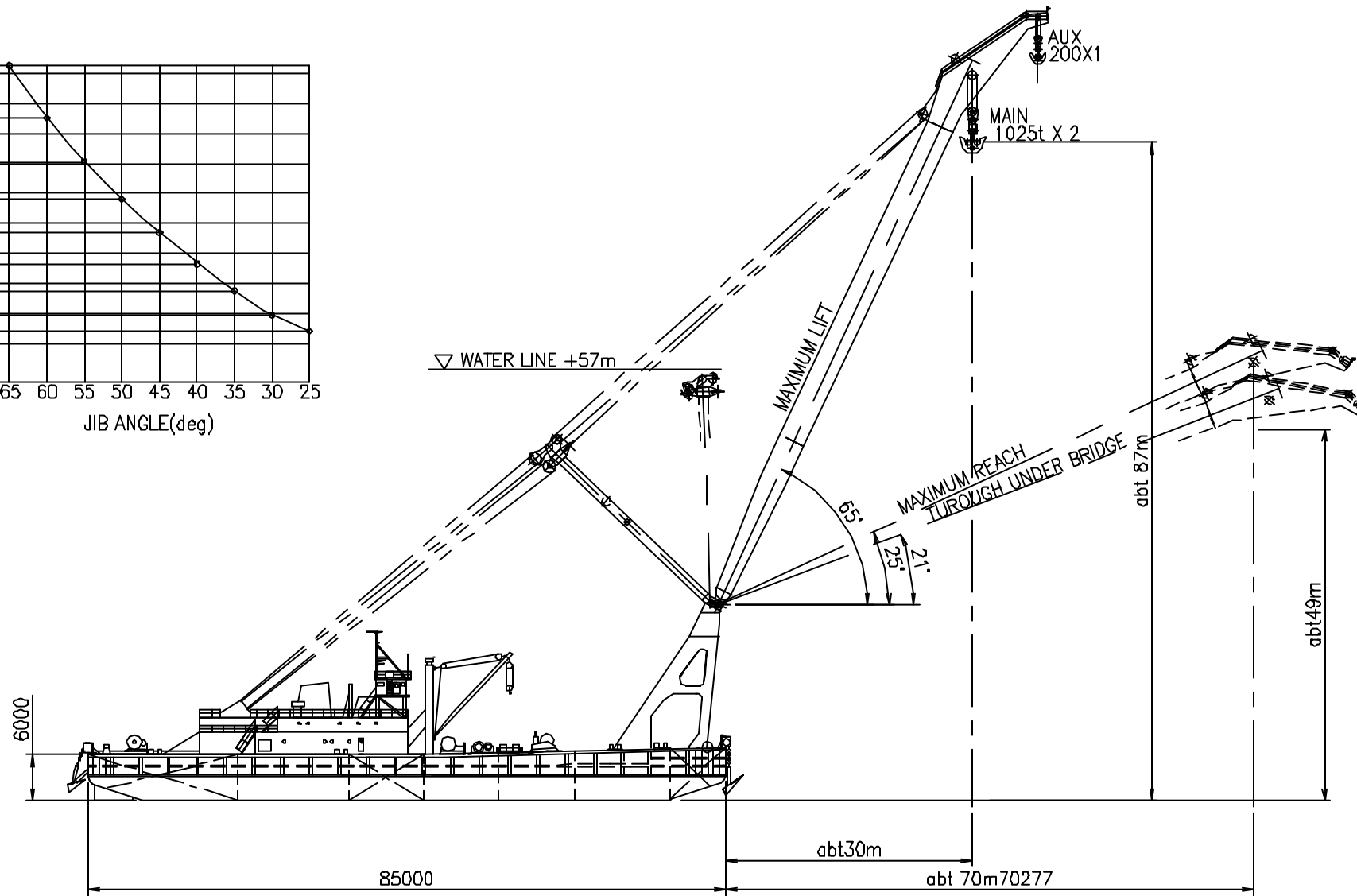
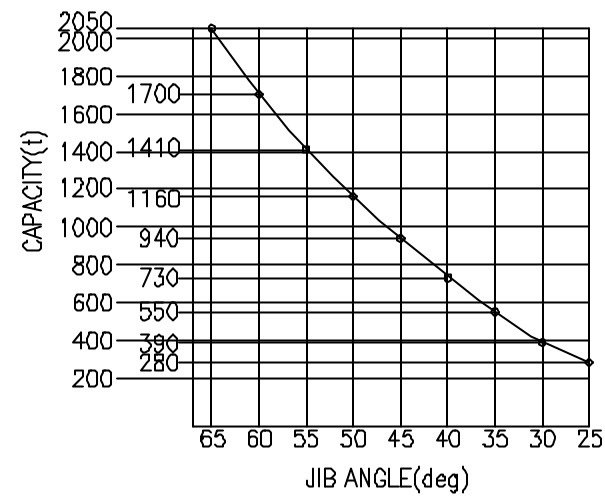


CAPACITY CURVE



MARK NO.	NAME	MATERIAL	QUANT	DESCRIPTION
SCALE	1/800(A3)	DATE	DWG NO.	
D.M		TITLE		
P.M		2050t SHEERLEG "KONGO" GENERAL ARRANGEMENT		
CHECKED				
DESIGNED				
DRAWN				
FUKADA SALVAGE & MARINE WORKS CO., LTD				